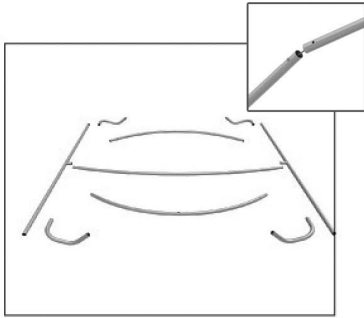


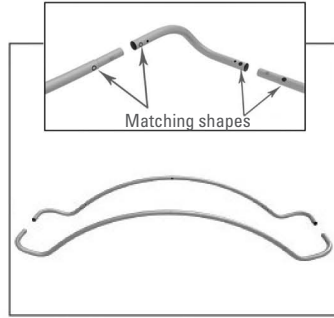
# Horizon A SERIES

# Horizon B SERIES

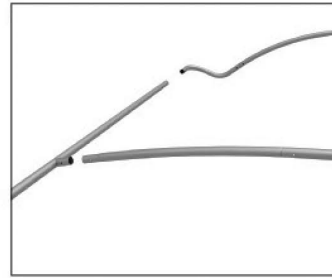
## SETUP INSTRUCTIONS



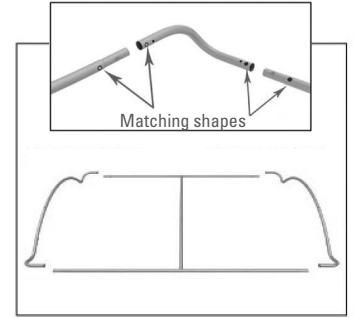
Assemble the 2 long curved and 2 long straight sections (connected with bungee cord).



Connect the corner sections to the curved sections with matching shape codes.



Make sure that you fit the middle support before you go any further.

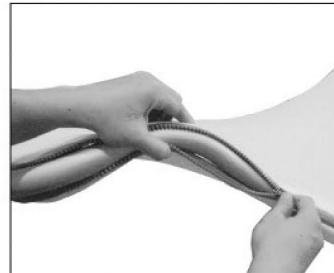


Connect the corner sections to the straight sections with matching shape codes.

On the **Horizon A**, the curved sections form the top and bottom of the stand while on the **Horizon B**, they form the sides.



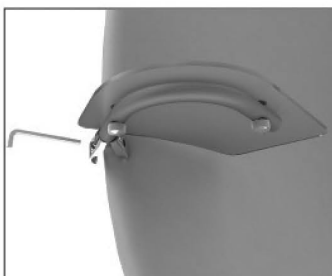
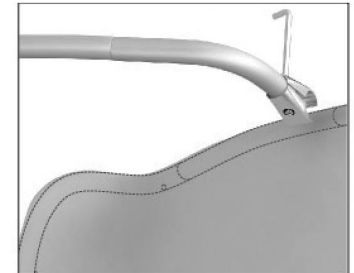
Slide print onto the frame like a pillow case.



Zip the fabric graphic.



When attaching the legs of the stand, you will need to make sure they are in the right place as different heights will change the angle of the display.



Slide the shelves and fix them with Allen key.



Position light as desired and tighten knob to hold in place.



See setup instructions video  
**Horizon A**



See setup instructions video  
**Horizon B**

### WARNING !

Overtightening may cause damage to fabric.